



9001 - 2015



KEY PACK
SOLUTIONS

INTERNATIONAL PRESENCE

México y E.U.



We offer multi-material packaging solutions that protect your products

We design, produce and provide cost-effective returnable and expendable packaging solutions for the safe transit of your products.

In a single invoice, we integrate the returnable packaging requirements (racks, plastic containers, internal dunnages, collapsible sleeve packs, custom engineered window packs, sewing hanging bags, thermoformed trays and pallets).

Benefits

Personalized service.

Innovation in packaging engineering
CAD-CAM technology at your service.

We adjust to your delivery schedule.

Comprehensive packaging service.

Storage of your products.

Technical support.

We adjust to your budget and needs.

Reasonable minimum quantities for each manufacturing project.

Viable and adequate delivery times.



CELAYA PLANT



SALTILLO PLANT



Vito Alessio Robles #5625, Colonia Asturias, Saltillo, Coahuila, Cp 25107

MONTERREY PLANT



Carlos Rousseau #501, El Milagro, 66634, Apodaca, Nuevo León



SOME OF OUR CLIENTS



TOYOTETSU DE MÉXICO S.A. DE C.V.





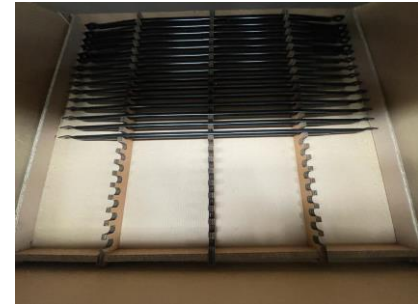
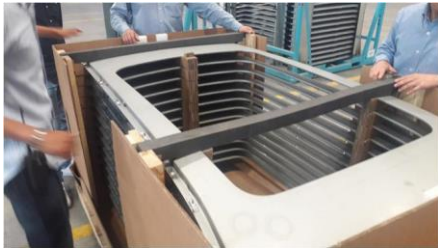
OUR PRODUCTS:

Corrugated packaging





CORRUGATED PACKAGING





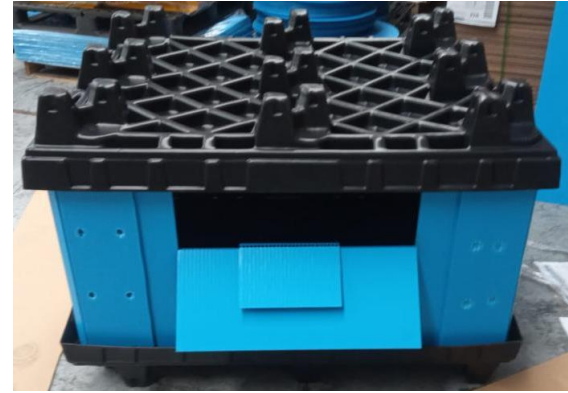
COROPLAST

KEY PACK
SOLUTIONS

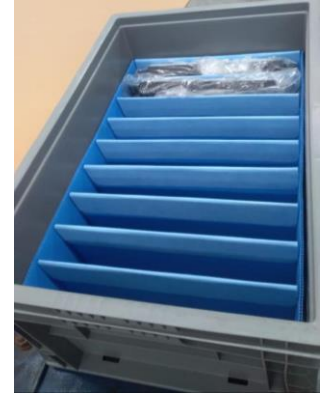




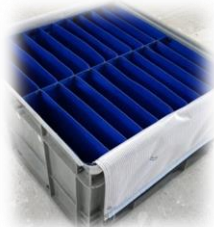
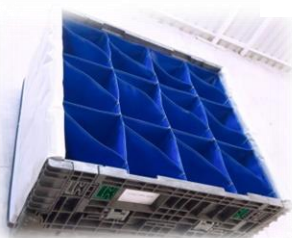
COROPLAST



PLASTIC INJECTION BOXES AND ROPAKS-DUNNAGE

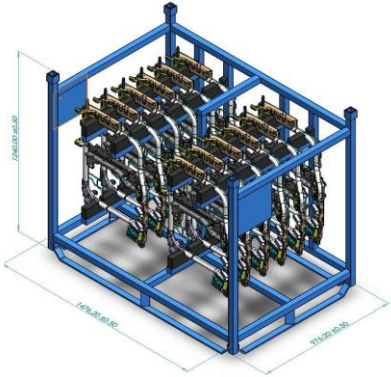
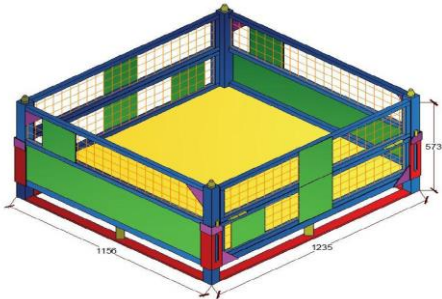
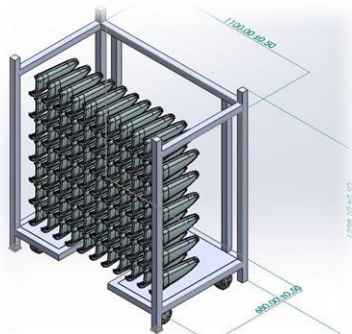
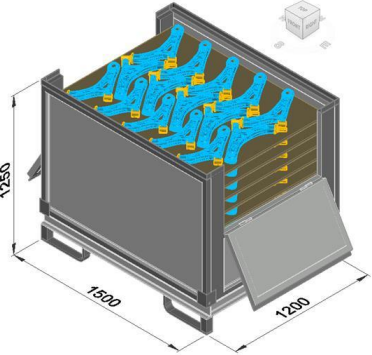
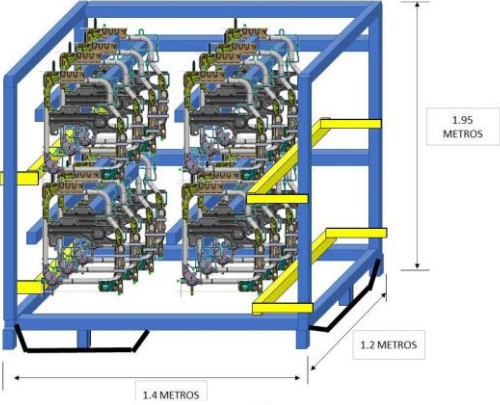
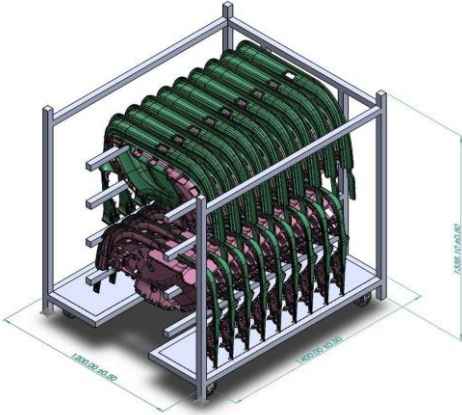
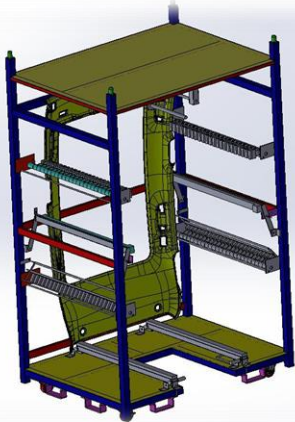
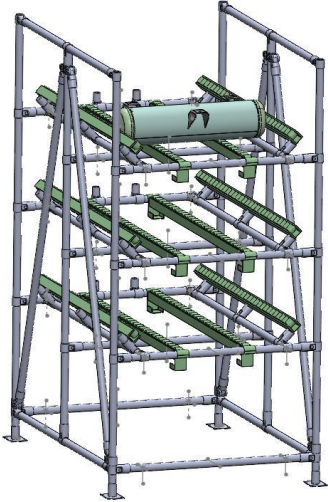


PLASTIC INJECTION BOXES AND ROPACKS- DUNNAGE



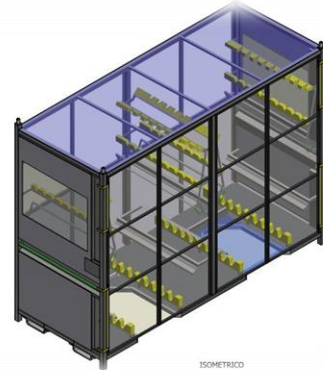


RACKS AND METAL BASKETS



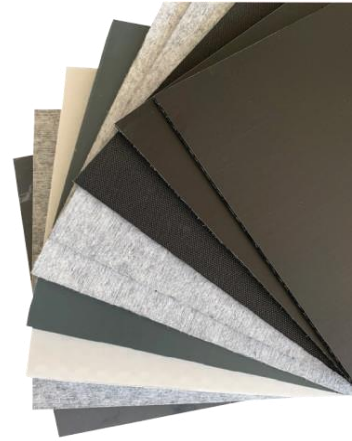
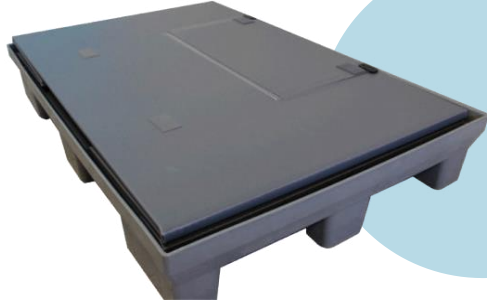


RACKS AND METAL BASKETS





RETURNABLE PACKAGING



**Polypropylene
honeycomb
More resistant
and lighter.**





THERMOFORMED



ALUMINIUM MOLD

We have aluminium molds for a clean and perfect finish for your products.

MDF MOLD

We manufacture molds in MDF for cavity approval.

RESIN MOLD

We manufacture resin molds for samples or small productions.

BLISTER AND CLAMSHELL

We create blisters and clamshells customized to the product to be packed.

LARGE FORMAT

We specialize in large format thermoforming. We have the capacity and machinery necessary for the elaboration of your project.

PALLETS

We manufacture returnable and recyclable plastic pallets for distribution and production lines.



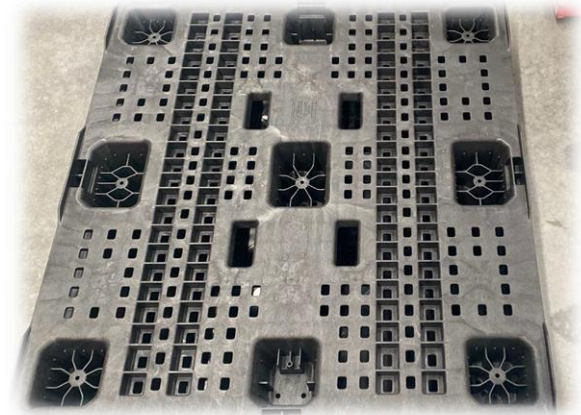


THERMOFORMED



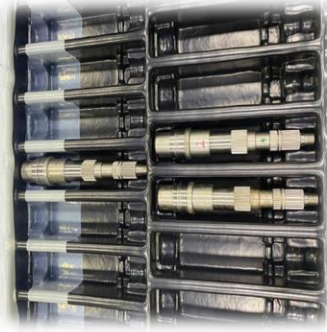
PET
ABS
POLYETHYLENE
POLYSTYLENE
ACRYLIC
PVC

Caliber from .25mm to 8mm



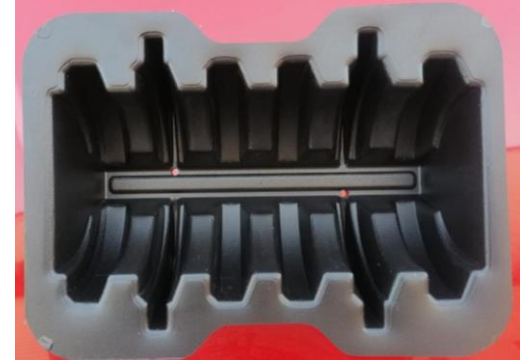


THERMOFORMED





THERMOFORMED



ISO 9001 CERTIFICATION



EQA Certificación México, S.A. De C.V.
- Certifies that the Quality Management System adopted by the firm -
Certifica que el Sistema de Gestión de la Calidad adoptado por la empresa

KEY PACK, S.A. DE C.V.
Carlos Jiménez Carbajal, Núm. 100 Int. 5,
A paseo El Grande, C.P. 38160

- Meets the requirements of the Standard -
Es conforme con los requisitos de la Norma
NMX-CC-9001-IMNC-2015 / ISO 9001:2015
Sector IAF: 7, 14

- The Quality Management System applies to the following scopes -
El Sistema de Gestión de la Calidad se aplica a los ámbitos siguientes:

- Design, manufacture and marketing of corrugated cardboard packaging
and plastic returnable packaging -

Diseño, fabricación y comercialización de empaque de cartón
corrugado y empaque retornable de plástico.

- Certificate of Assessment Number -
Certificado Número: 50555843

- Certification-
Certificación: 19/12/2020

- Next document update -
Próxima actualización de documento: 19/12/2021

- Expiration-
Expiración: 19/12/2023

-Signed-
Firma


Gerente de Emisiones
0313EMX21uj71



ISO 9001:2015

CERTIFICADO ACREDITADO



CENFUEGOS 699 1B
COL. LINDAVISTA, C.P. 07300, CDMX





Marisol Almazán

Key Account Manager
ventasmexico@keypacksolutions.com
5545426535

Karina Mondragón

Key Account Manager
ventas.soporte@keypacksolutions.com
5536646172

Abraham Patiño

Key Account Manager
apatino@keypacksolutions.com
4611011538

Beatriz Mata

Key Account Manager
ventas@keypacksolutions.com
8123199284

Sonia Hernandez

Key Account Manager
kpsorte@keypacksolutions.com
5522599137

Berenice Barrera

Key Account Manager
ventaskp01e@keypacksolutions.com
5546767001

