

# PXI



## PXI Automotive Mexico Profile

# Group Overview



PXI is a global manufacturer for major thermal product...

Employee worldwide

**1,300** people

Global Production

**10** sites

Present in

**5** countries

Global Sales and Tech

**7** centers

## Products

Mainly precise machined, stamped product, aluminum pipes and assemblies for **automotive battery cooling, chillers, thermal management system, visibility system and safety system** application.



Establish



Plant area (sqm)



Customer locations



2022 Sales (\$M)





# Local Footprint 2023



As the leading thermal product provider in the world...we are both global and local



Legend: Production Plant  Sales Office 

# Group Overview



PXI is a global manufacturer for major thermal product...

**Employee Mexico**  
**130** people

**Mexico Production**  
**4** Production Plant  
\*\*4th production by 2024

**Present in**  
**2** countries

**USA Sales**  
**1** Office

## Products

Precise machining/ turning , tube bending, tube brazing, stamping, aluminium extrusion, gravity casting



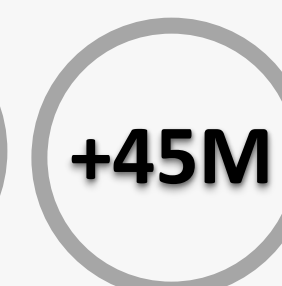
Establish



Plant area (sqm)



Customer Locations



2022 Sales (\$M)

\*\*Includes sales from PXI CN to NA



# Local Footprint 2023



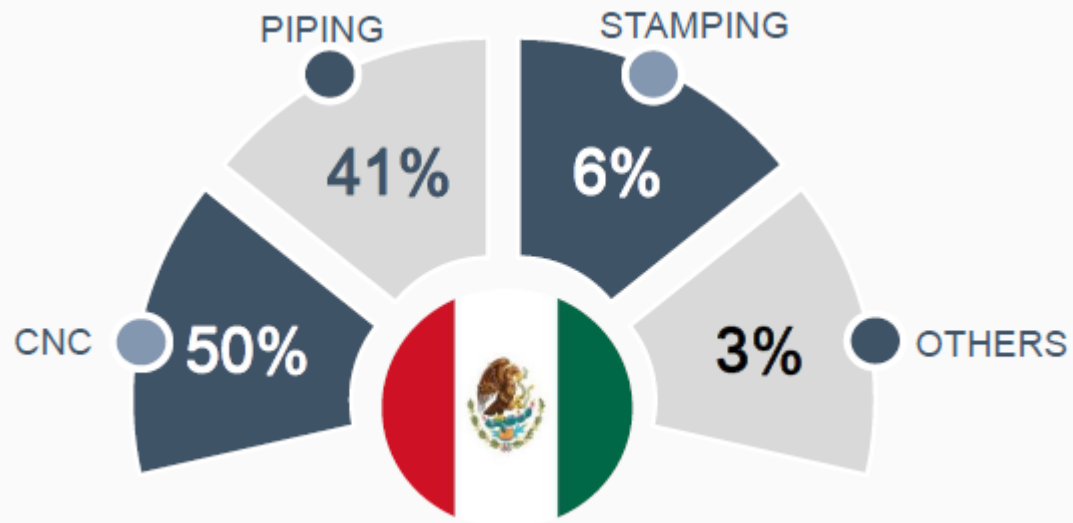
As the leading thermal product provider in the world...we are both global and local



# Capability PXI Globally

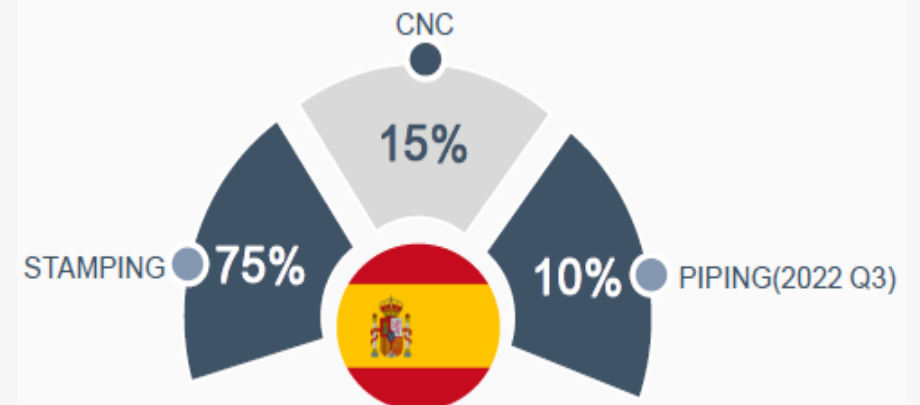
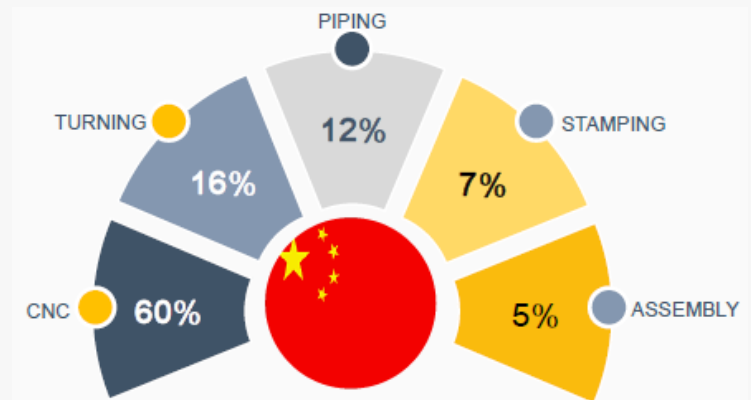


Diversified superior capability and competence to enhance customer value-creation



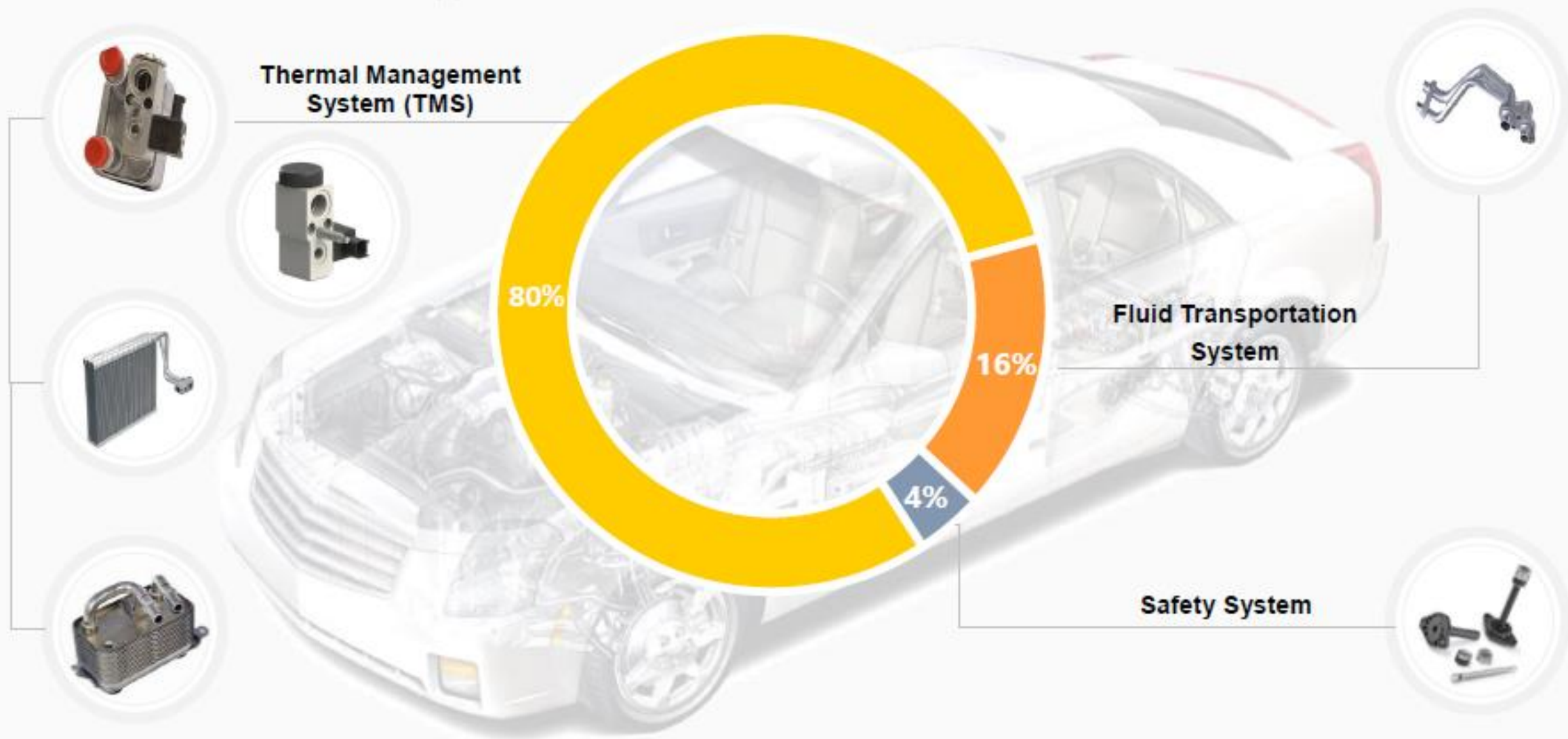
EMPLOYEE	LOCATION	PLANT AREA
130		22,000
1,100		65,000
40		10,000

## Sisters plants



# Product Application

Product in diversified end-application...



# Group Product Segment



PXI is a global manufacturer for major thermal product...

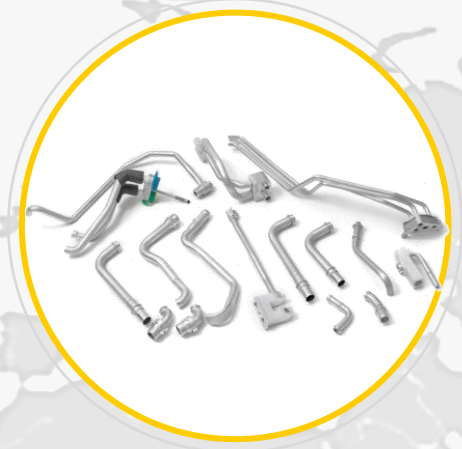
**Al machining**



**Steel machining**



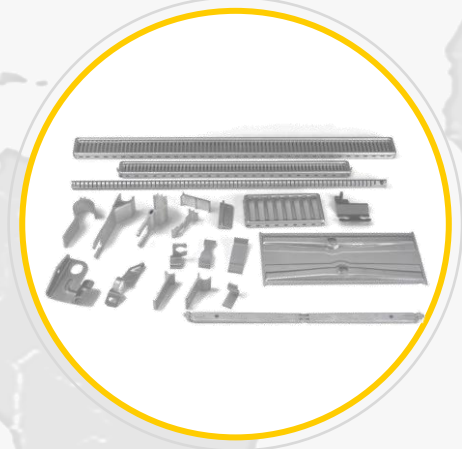
**Piping & Assembly**



**Al forging**



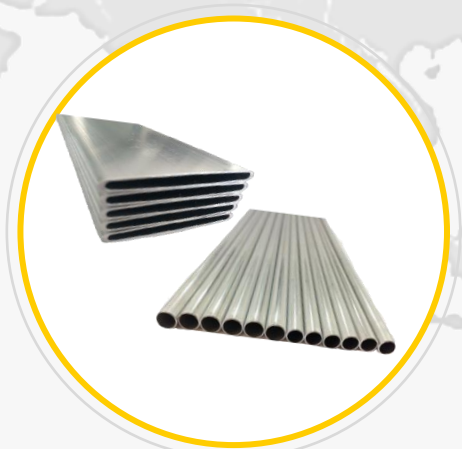
**Gravity Casting**



**Stamping**



**Assembly**



**Extrusion & Coil pipe**



Diversified product group



## Alloys

6060 · 6061 · 6063 · 6082 · 3003 · 3103 · 5083F · . . . . .

## Steel

304 · 316L · 430F · . . . . .

PXI is the preferred supplier...



# CNC Production Capability



Superior CNC production capability to meet customer delivery



25 CNC Machine center



# Lathing Production Capability



Superior lathing production capability to meet customer delivery

6 CNC lathe machines



Superior washing capability to meet customer delivery



# Assembly Capability



Advanced sensor-detector assembly line



# Production Capability



PIPE+BLOCK assembly line....

12 Tubes lines



# Production Capability



Multi-station flame brazing line to meet leakage validation

5 Brazing machines





400Ton Press

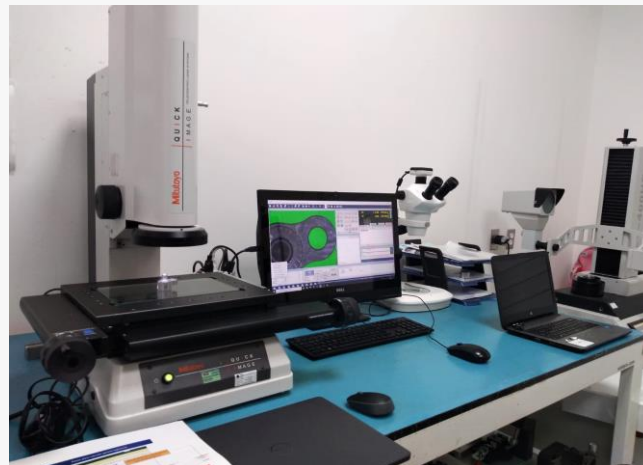
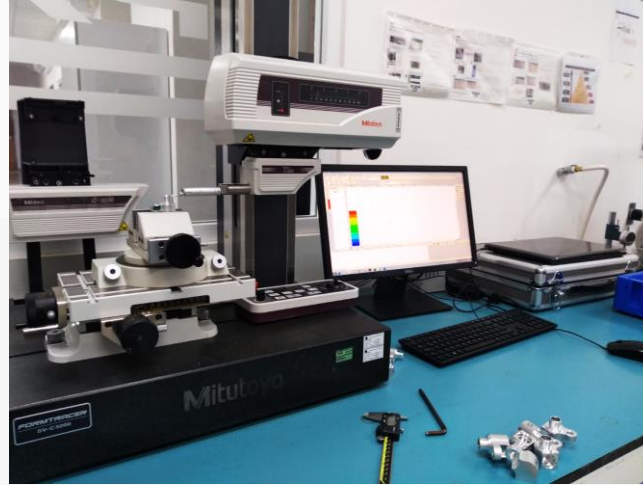


60Ton Press



Superior instrument secures our product quality ...

Methods + Attitudes = Quality



## Metrology Equipment

- HEXAGON CMM
- MITUTOYO Quick Image 2D measurement system
- Hardness/ Roughness Tester Mitutoyo
- Profilometer Mitutoyo
- Others

- ✓ Full Lay Out
- ✓ First piece record
- ✓ On site SPC monitor station
- ✓ 100% Final Inspection



What does this bring and how it our customers?

- New capability/product offering
- Competition in the region
- Further Localization/Regionalization

+

- A vertically integrated supplier/minimizing supply chain risks

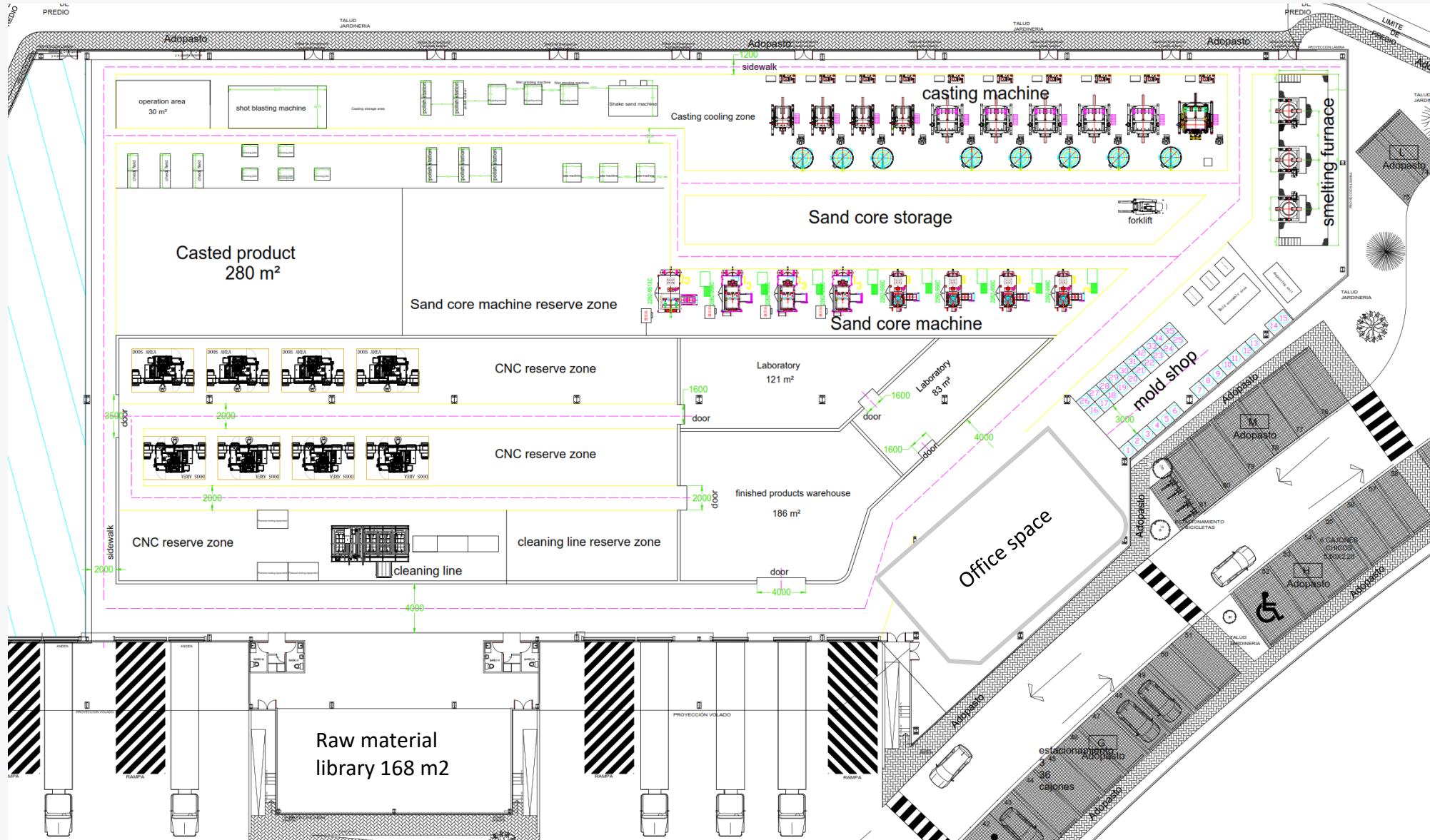
Gravity Casting cell

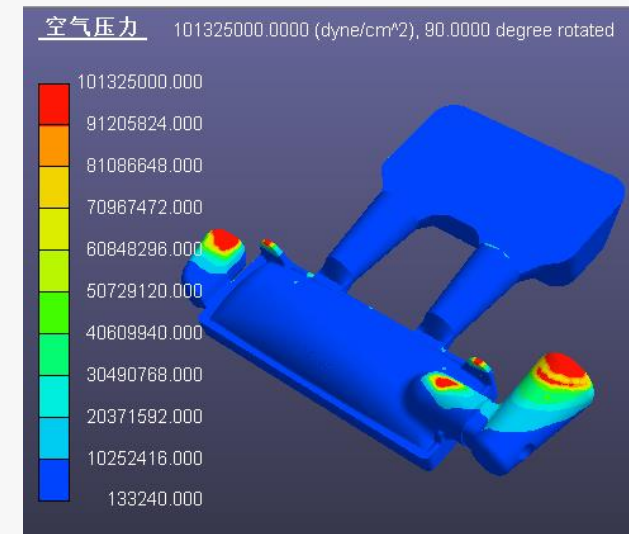
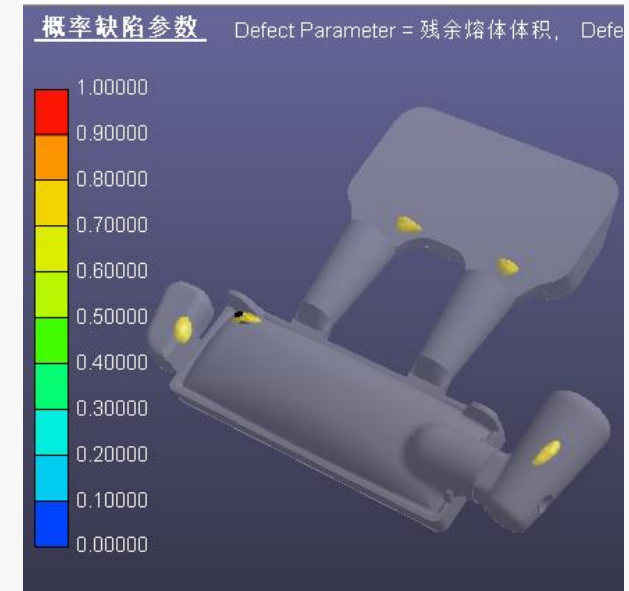
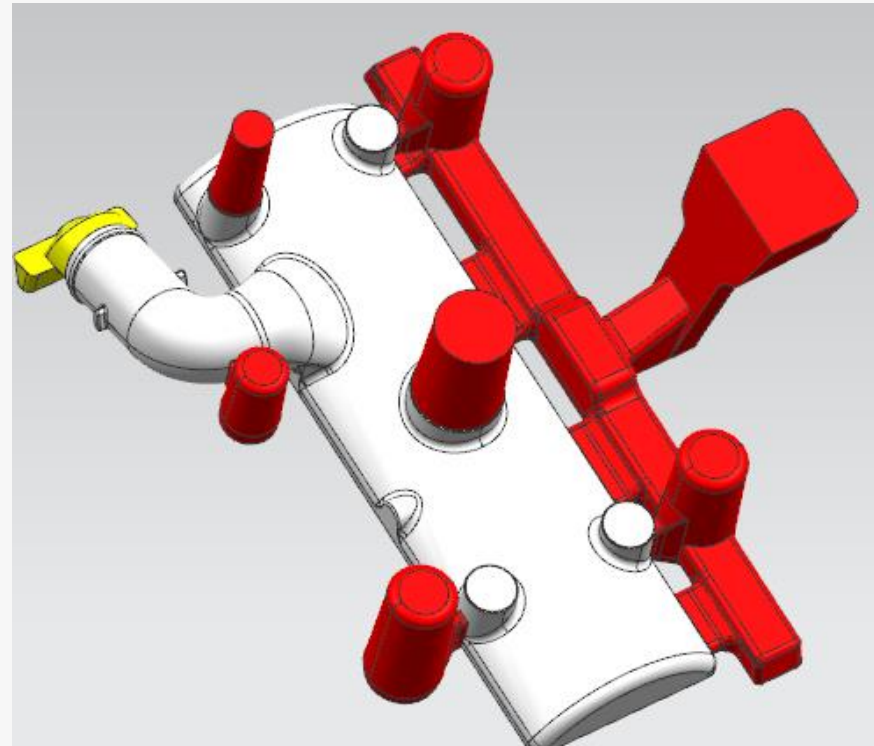
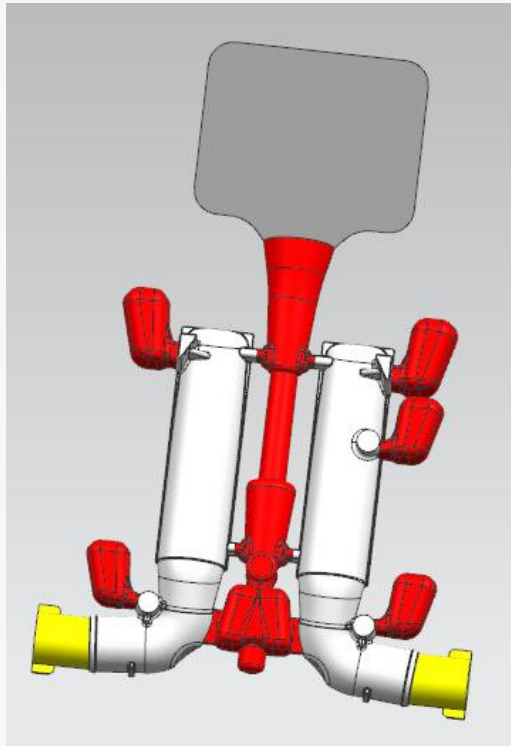


Extrusion line



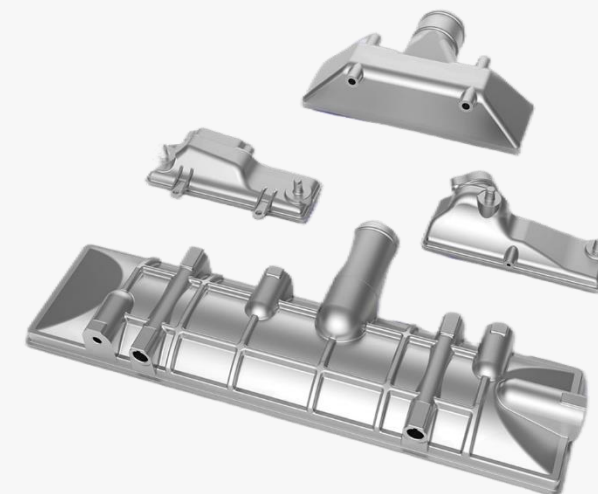
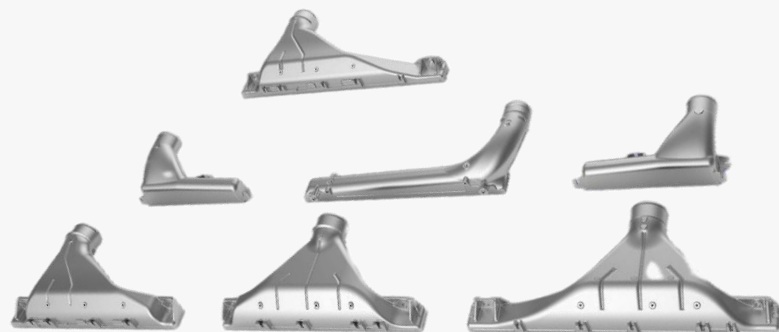
# Overview of Casting Layout



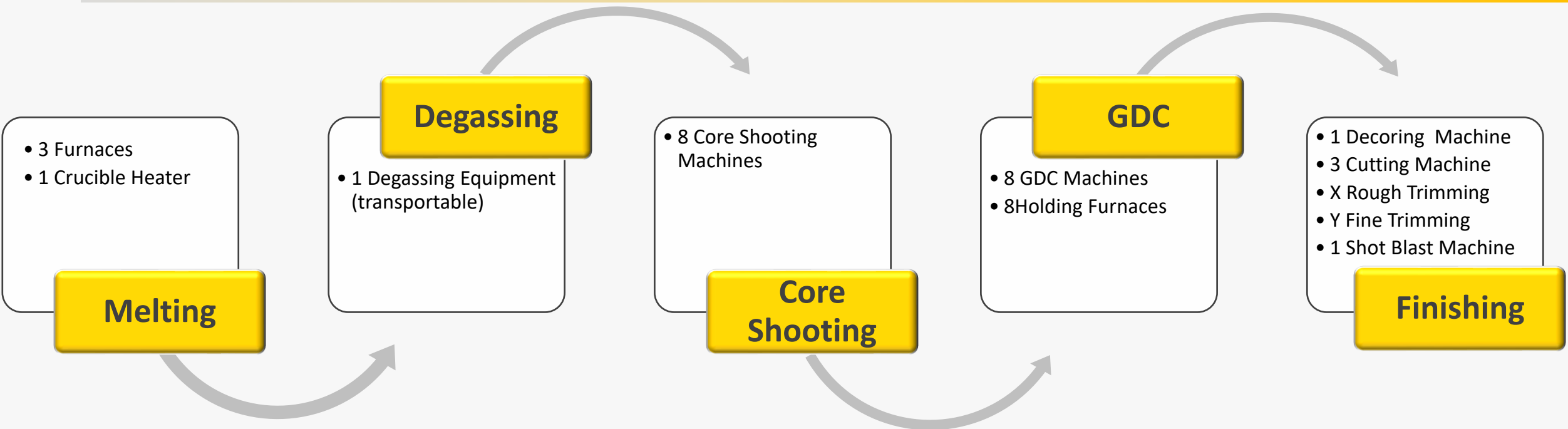


- ◀ Competence in casting mold/fixture design
- ◀ Casting simulation applicable in development
- ◀ Core ability of mold and fixture manufacturing in house

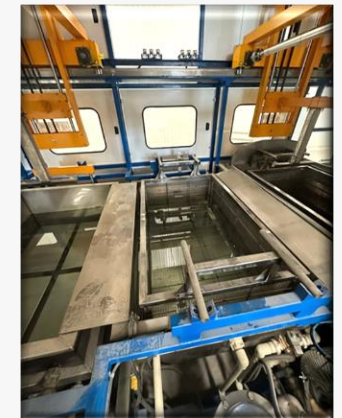
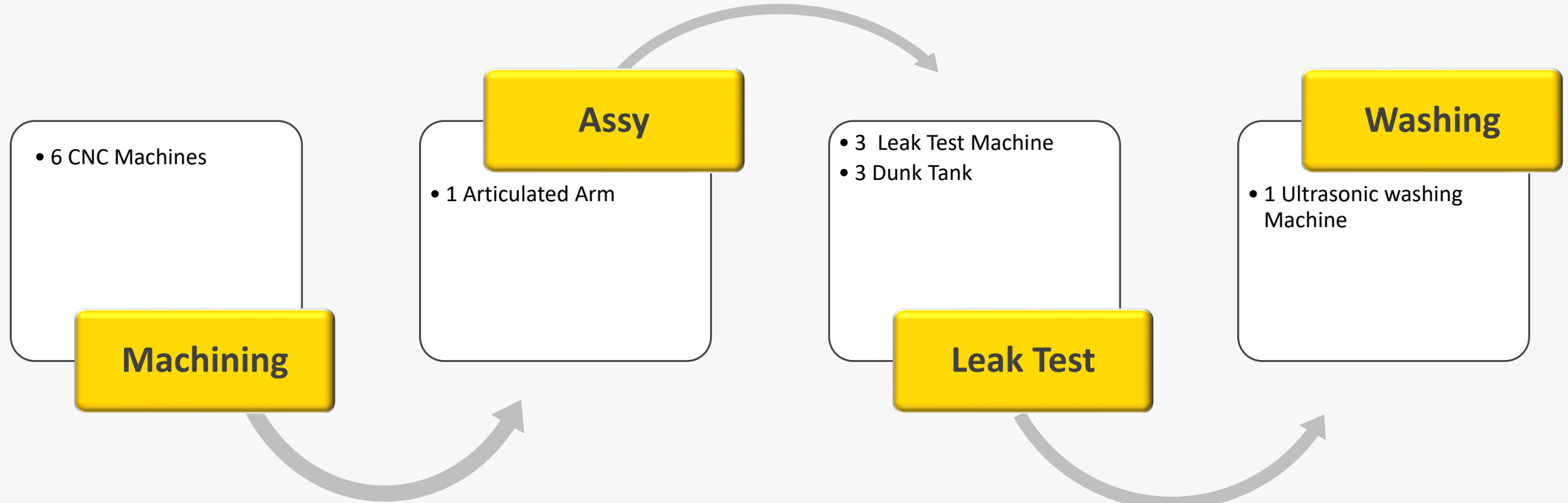
# Product capability @ PXI Casting



# Hot area Process Flow @ PXI Casting



# Cold area Process Flow @ PXI Casting







## Incoming

- Aluminum → Chemical Composition
- Sand → Grain Size



## MetLab

- Chemical Composition
- Material Performance
- Defect Characterization



## Process Control

- Casting Internal Sanity
- Cores Internal Sanity
- Cores Cohesion



## Metrology

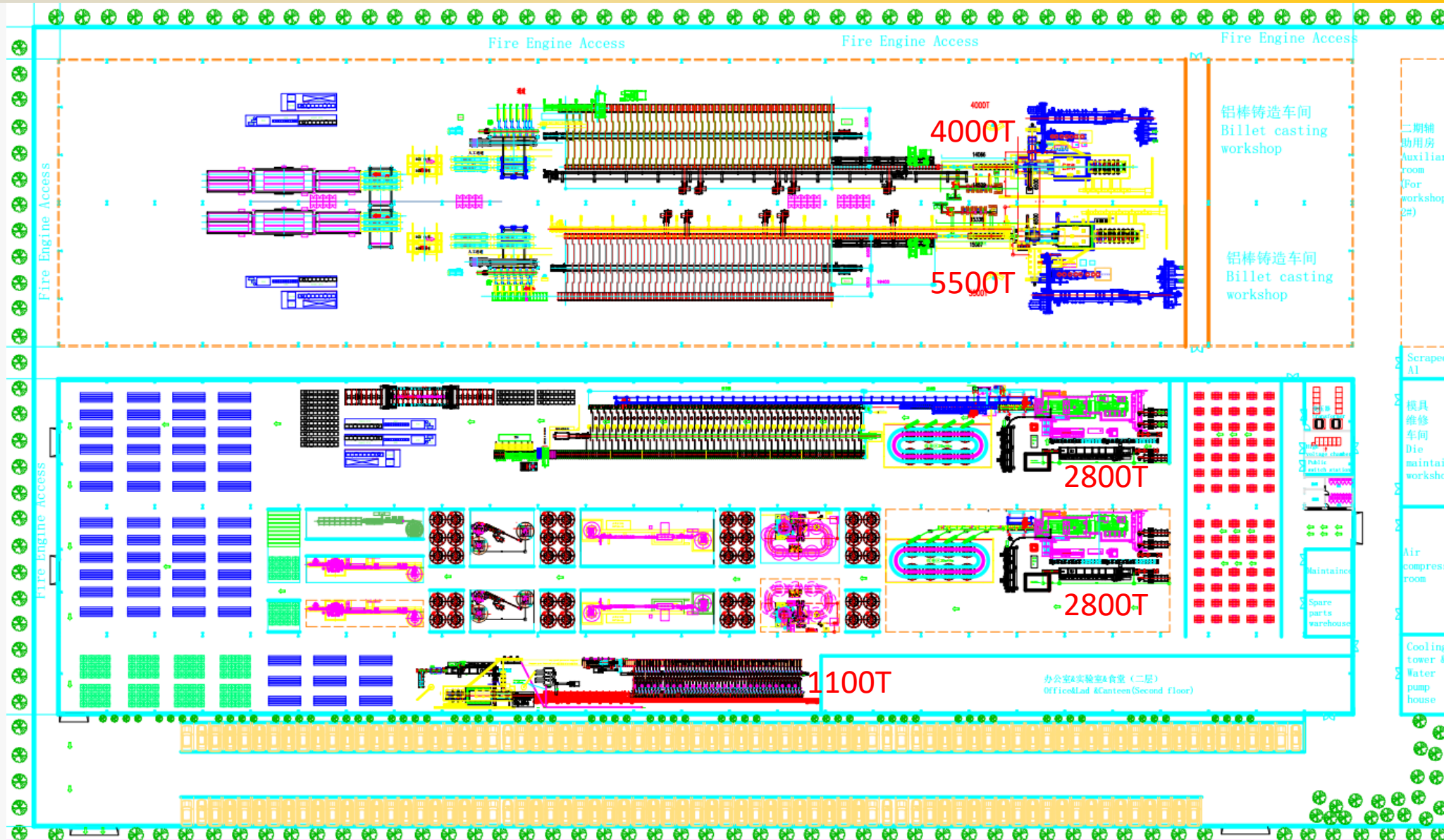
- CMM Measurement
- Optical Comparator
- Hand Equipment

# PXI Plant 4 Layout



Phase II

Phase I



## 1. 1100T Extrusion Line

The billet diameter: 127mm, length: 200-600mm; It can produce profiles of weight less than 1.3kg per meter

## 2. 2800T Extrusion Line

The billet diameter: 203mm, length: 400-1200mm; It can produce profiles of weight range: 2kg-6kg per meter

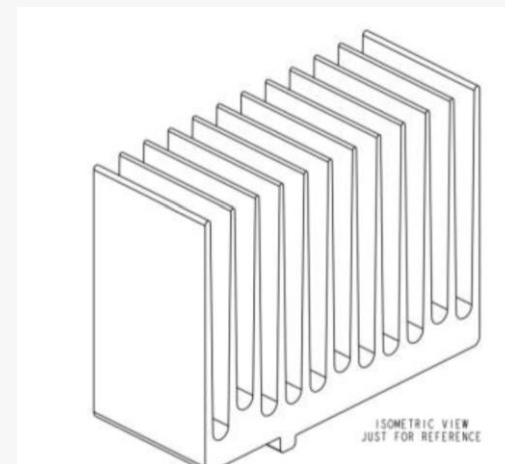
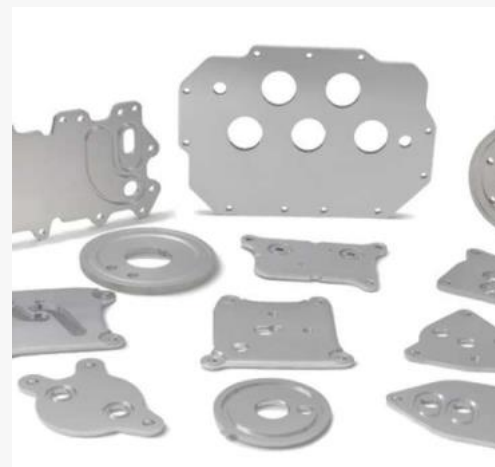
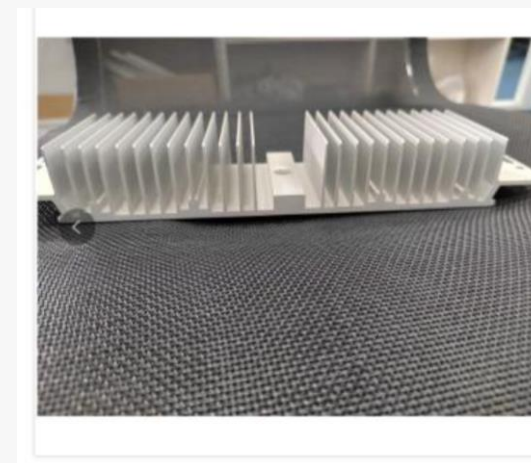
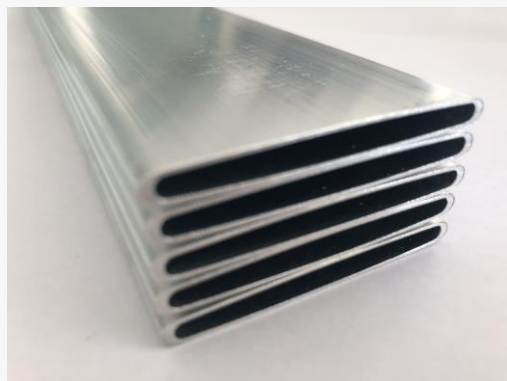
The billet diameter: 229mm, length: 400-1200mm; It can produce profiles of weight range: 4kg-8kg per meter

## 3. 5500T Extrusion Line

The billet diameter: 381mm, length: 700-1500mm; It can produce profiles of weight range: 8kg-16kg per meter

## 4. 4000T Extrusion Line

The billet diameter: 330mm, length: 600-1300mm; It can produce profiles of weight range: 5kg-12kg per meter



## 1. Round Tube Spec:

Outside diameter:  $\text{Ø}6\text{-}38\text{mm}$ ; Wall thickness: 0.30-3.00 mm; Straight pipe length: 60-4000mm; Coil: 50-300KG / disc

## 2. Elliptical tube spec:

Width:10-50mm; Height: 2.0-5.0mm; Wall thickness : 0.25-1.2mm; Length: 60-4000mm.

## 3. Coaxial tube spec:

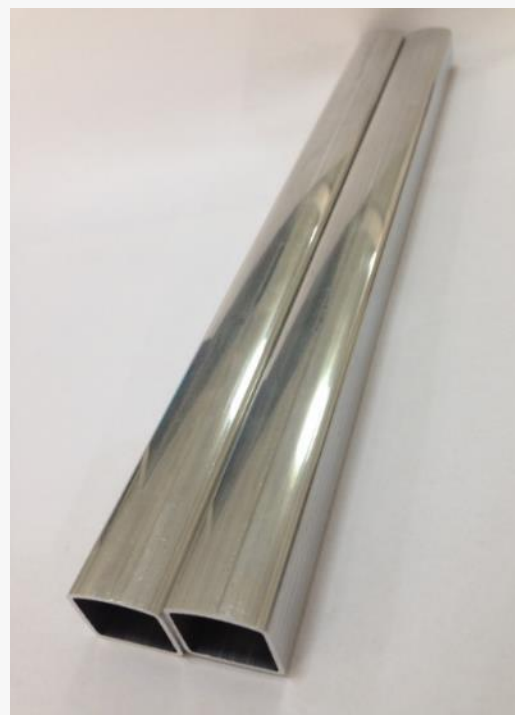
Outside diameter:  $\text{Ø}20\text{-}38$  mm; Wall thickness: 1.20-2.50 mm; Straight pipe length: 60-4000mm.

## 4. Intercooler tube spec:

Width: 32-120mm; Height: 3-15mm; Wall thickness: 0.4-1.5mm; Length: 60-4000mm



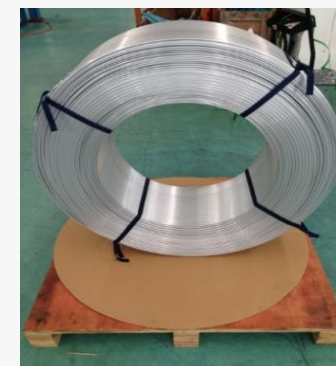
Round tube ( Fixed-scale chip-free cutting )



D-shaped tube



Coaxial tube



Coil tube



**Fernando Gomez**  
**North America Sales Director**

**[fernando.gomez@pxi.mx](mailto:fernando.gomez@pxi.mx)**

**Ledubis Gomez**  
**Account Manager**

**[ledubis.gomez@pxi.mx](mailto:ledubis.gomez@pxi.mx)**

**Jose Castillo**  
**Senior Sales Manager**

**[jose.castillo@pxi.mx](mailto:jose.castillo@pxi.mx)**

